

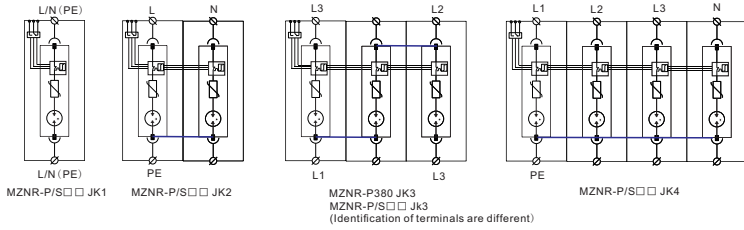
SPD for railway

MZNR Series

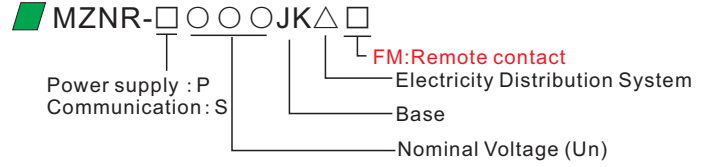


Power supply SPD
IEC Class II (Type 2)

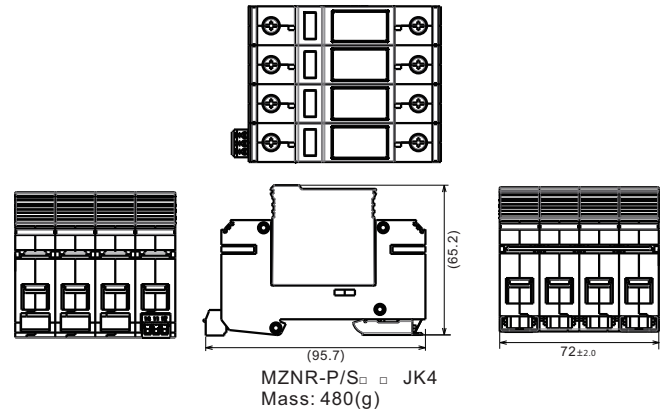
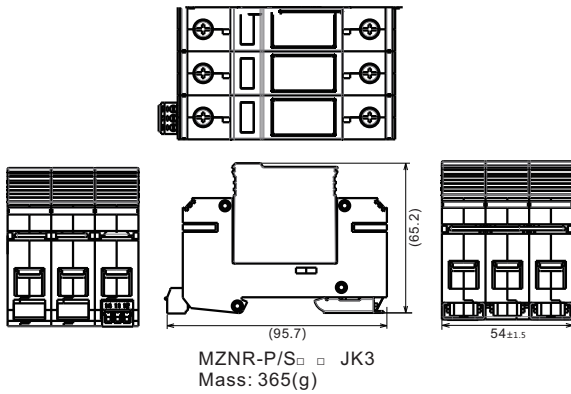
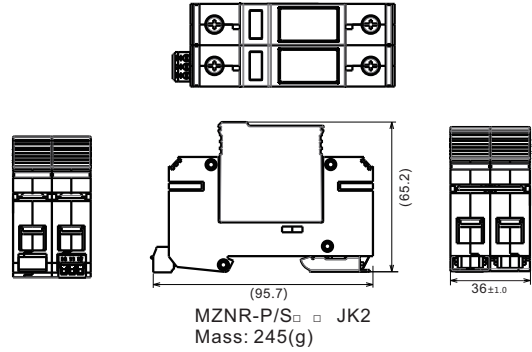
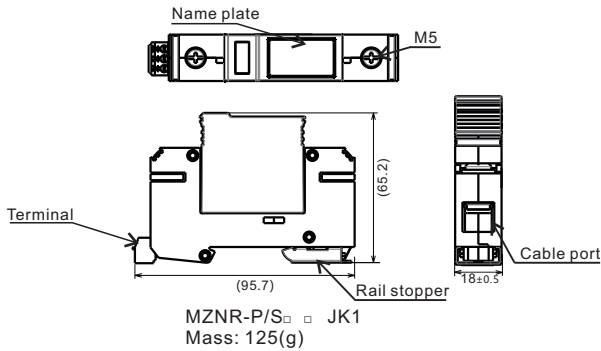
Circuit diagram



Product type identification

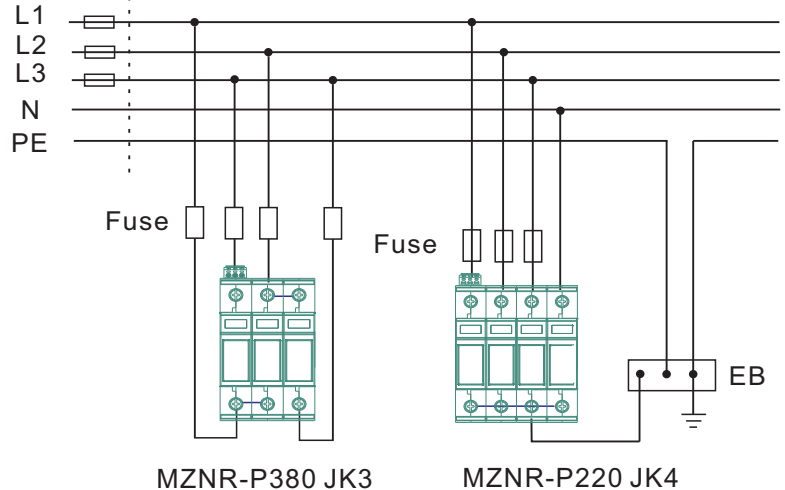
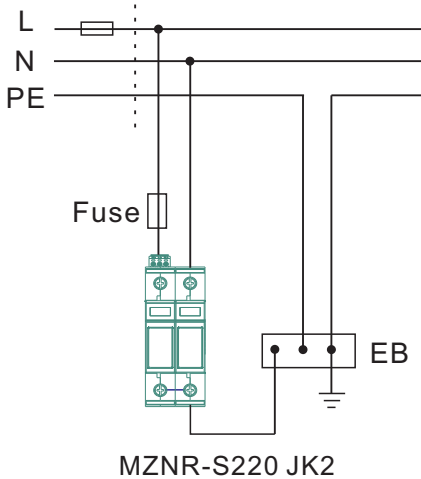


External view



Installation examples

TN-S System



MZNR-P/S□□ /2	Single phase
MZNR-P/S□□ /3	Single phase (plus PE line) Three phase three wire
MZNR-P/S□□ /4	Three phase four wire